

Fortane™ RUBBER & VINYL ADHESIVE

Technical Data Sheet Rubber & Vinyl Adhesive

Product Description

Fortane Rubber & Vinyl Adhesive is a solvent free ,latex rich adhesive formulated to provide an exceptional bond when installing rubber or vinyl stair tread, radial tile or rubber sheet flooring over porous and non-porous surfaces free of moisture. Fortane Rubber & Vinyl Adhesive is also designed to permanently install dimensionally stable vinyl backed resilient sheet goods, homogenous commercial grade PVC sheet flooring ,PVC backed carpet, PVC backed carpet tile, PVC sheet vinyl (vinyl backed),vinyl tile, vinyl plank, linoleum, and linoleum tile.

FEATURES

- Ready to use: no need to mix
- Ideal for commercial resilient flooring
- Easy to use
- Low odor
- Solvent Free
- Excellent Open Time
- VOC compliant
- LEED® Qualified & California Proposition 65 Compliant

Chemical and Physical Properties

Moisture Tolerance	Up to 8 lbs or 90% (New Construction installations)
Working Time	45-90 Minutes
VOC	10 g/L
Open Time	65°F-75°F Up to 4 Hours Note: Open times will vary with temperature and humidity.
Application Conditions	Between 60°F and 95°F and below 75% RH
Packaging	4 gallon pail = 40 lb's
Freeze Thaw	5 cycles @ 20°F
Color	White Paste
Cure Time	Light foot traffic after 8 hours Moderate/heavy foot traffic after approx. 16- 24 hours
Maintenance	Do Not wet clean floor covering for a minimum of 14 days.
Shelf Life	12 months from date of manufacture; stored at 50-80°F

Typical Applications

Fortane Rubber & Vinyl Adhesive is recommended **for professional use only** and is ideal for the following Applications:

- Residential or Commercial Applications
- Vinyl Tile, Vinyl Plank, Vinyl Sheet, Rubber Tile, Rubber Sheet
- This a Wet Lay Adhesive

Subfloor Preparation

Follow all manufacturer's recommendations and industry standards regarding subfloor preparation. Moisture tests are required on all concrete subfloors regardless of grade level or if the concrete is freshly poured or is classified as an older slab. Moisture testing should be performed by ASTM F1869 Calcium Chloride Tests with moisture levels not to exceed Five (5) pounds per twenty-four (24) hours per one thousand (1000) square feet, or ASTM F2170 In Situ Relative Humidity Test with readings, not to exceed eighty (80) percent on existing slabs. New Construction Projects or Green slabs can have a Moisture Vapor Emission Rate of up to eight (8) pounds per twenty-four (24) hours per one thousand (1000) square feet or 90% when tested in accordance with ASTM F-2170. Additional information with regard to these tests and results can be obtained through Fortane's Technical Service Department. The pH levels should be between 7-9.

Installation

DIRECTIONS:

Refer to all manufacturer's recommendations and approvals prior to installation. **For Indoor Use Only.** For best results install at 70°F (+/- 5°) and 50% R.H. (+/-5%).

1. All surfaces must be clean, dry, free of dust, grease, paints, oils, curing compounds, sealers, or any other foreign material which may interfere with proper adhesion. Cracks and uneven surfaces must be filled with a cementations patching compound.

Radial Tile, Rubber and Vinyl Stair Treads

2. Porous surfaces require the use of a 1/16" x 1/16" x 1/16" square notch trowel for the installation of radial tile, rubber and vinyl stair treads with gauges of 0.115 or greater. For radial tile and treads with gauges of 0.114 or less a 1/16" x 1/16" x 1/16" V-notch trowel should be used. Once troweled the adhesive should be allowed to remain open for approximately 5-10 minutes before placement of the stair tread or flooring material. Once placed the installed product should be rolled as quickly as possible using a 100 pound 3 section roller. Stair treads and nosing should be rolled with a steel hand roller.
3. For non-porous applications a 1/16" x 1/16" x 1/16" V-notch trowel should be used. The adhesive should be allowed to dry to the touch so that there is little or no transfer of adhesive to the finger. Once the adhesive reaches the dry touch state it is ready to accept flooring.

Fortane™ RUBBER & VINYL ADHESIVE

Rolling with a 100 pound 3-section roller should take place immediately after the flooring material has been placed into the adhesive. The time from when the adhesive is allowed to dry to the touch to the time it must be covered is approximately 45 minutes. If the adhesive is allowed to remain uncovered after initial drying to the touch for periods longer than the recommended 45 minutes, a loss of adhesion may result. Care should be taken by the installer not to spread more adhesive than can be worked within the 45 minute period.

Rubber Sheet Flooring

- When installing rubber sheet flooring over a porous surface, use 1/16" x 1/16" x 1/16" square notch trowel. Trowel adhesive onto the substrate and allow it to remain open 5-10 minutes. Position flooring into adhesive and roll the entire area in both directions with a 75-100 pound 3 section roller as quickly as possible once the flooring has been positioned.
- For non-porous surfaces a 1/16" x 1/16" x 1/16" V-notch trowel is recommended. Allow adhesive to dry to the touch so that little or no transfer take place. Install flooring within 45 minutes and roll immediately with a 75-100 pound roller.

Trowel Selection:

NOTE: For stair tread application (gauge 0.125 or heavier) a 1/16" x 1/16" x 1/16" V-notch trowel may be used on porous applications. As previously instructed, the adhesive should remain open for 5-10 minutes prior to replacement of the tread. Once placed, roll tread with appropriate hand roller.

CAUTION: Do not allow adhesive to remain uncovered after the initial drying period as a loss of adhesion strength will occur. Do not spread more adhesive than

can be worked within the 45 minute time frame.

RECOMMENDED SUBSTRATES:

- Concrete
- Portland Based Underlayment's
- Properly Prepared Gypsum
- APA Approved Plywood
- Terrazzo
- Fiber Cement Underlayment
- Radiant Heated Sub-floors
- Properly Prepared VCT (Single Layer)
- Properly Prepared Sheet Vinyl (Single Layer, fully adhered)

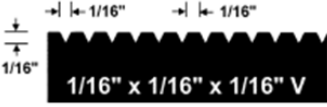
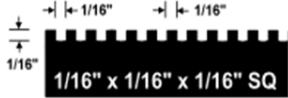
RESTRICTIONS:

- For interior installations only.
- Do not install when MVER is over 8 lbs. per 1,000 sf per 24 hours, per ASTM F1869.
- Do not install when relative humidity is over 85%, per ASTM F2170.
- Do not install when ambient temperature is not between 60°F & 95°F.
- Do not install when ambient relative humidity is above 65%.
- It is the sole responsibility of the installer to determine the suitability and compatibility of the adhesive for the user's intended use.

Warranty:

Royal Adhesives and Sealants offer a limited warranty for this product when used in accordance with printed specifications. A copy of the limited warranty can be obtained by calling technical service at 800-763-7272.

Trowel Selection:

FLOORING	TROWEL	ESTIMATED SPREAD RATE
Non Porous Substrate		125-175 sq. ft./US gallon
Porous Substrate		125-175 sq. ft./US gallon

Customer Service

Royal Adhesives & Sealants
 863 SE Main Street
 Simpsonville, SC 29681
 1-800-763-7272 Ext 1
 Fax: 1-864-228-1491 customerservice@rasp.com

